

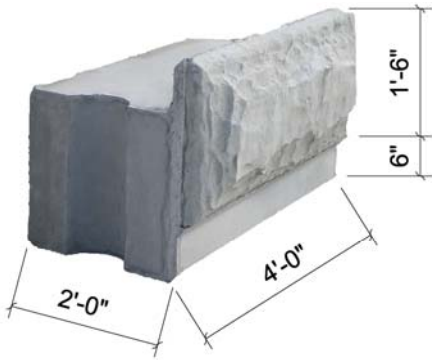


**SEQUATCHIE CONCRETE
SERVICE, INC.**

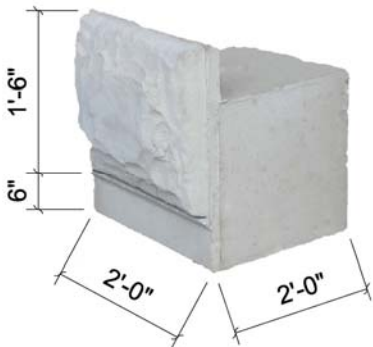
**P.O. Box 129
South Pittsburg, TN 37380
1-800-824-0824**

TRIBAL STONE RETAINING WALL

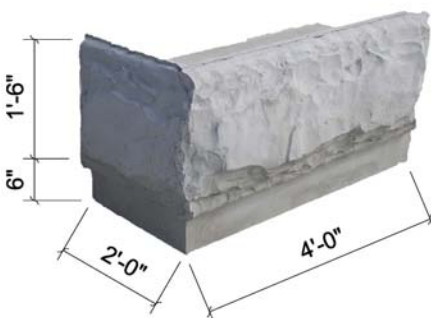
Full Block
Weight = 1500 lbs



Half Block
Weight = 750 lbs



Right Hand/Left Hand Corners
Weight = 1550 lbs



- Natural Face Resembling the Look of Chiseled Granite
- Produced with 4000 psi Concrete in a Controlled Environment
- Ideal for use on Residential and Commercial Projects



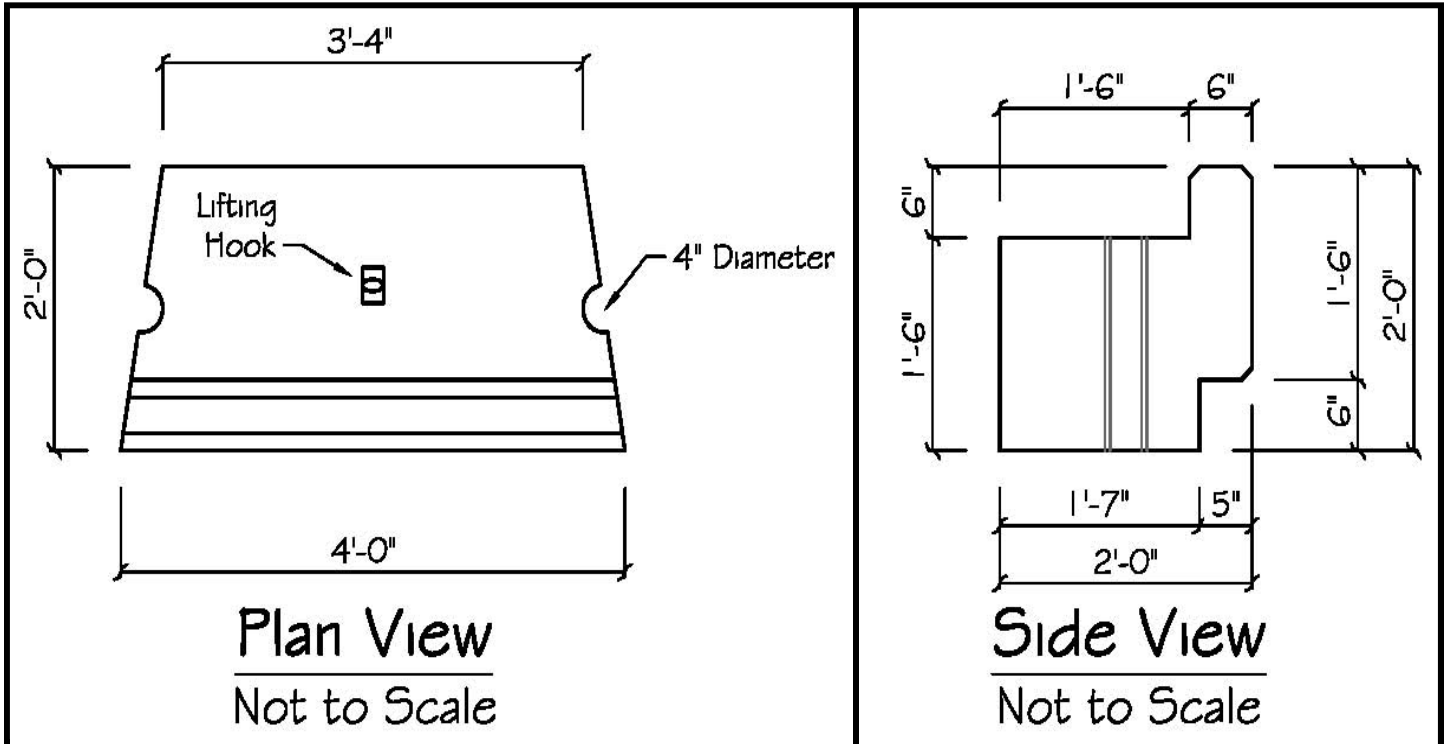
Installation Notes

- Existing Soils removed to bottom of leveling pad.
- Leveling Pad Material: 1" diameter and smaller
- Internal and External drainage to be evaluated
- Leveling pad material to be placed and compacted to 95% maximum dry density
- Set complete row of retaining blocks
- Backfill between and behind blocks at least 12" with washed drainstone
- Place geotextile fabric between drainstone and backfill material (if specified)
- Compact drainstone and backfill material to 95% maximum dry density
- Clean top of block before installing next course
- Repeat for each course of blocks utilizing a running bond pattern



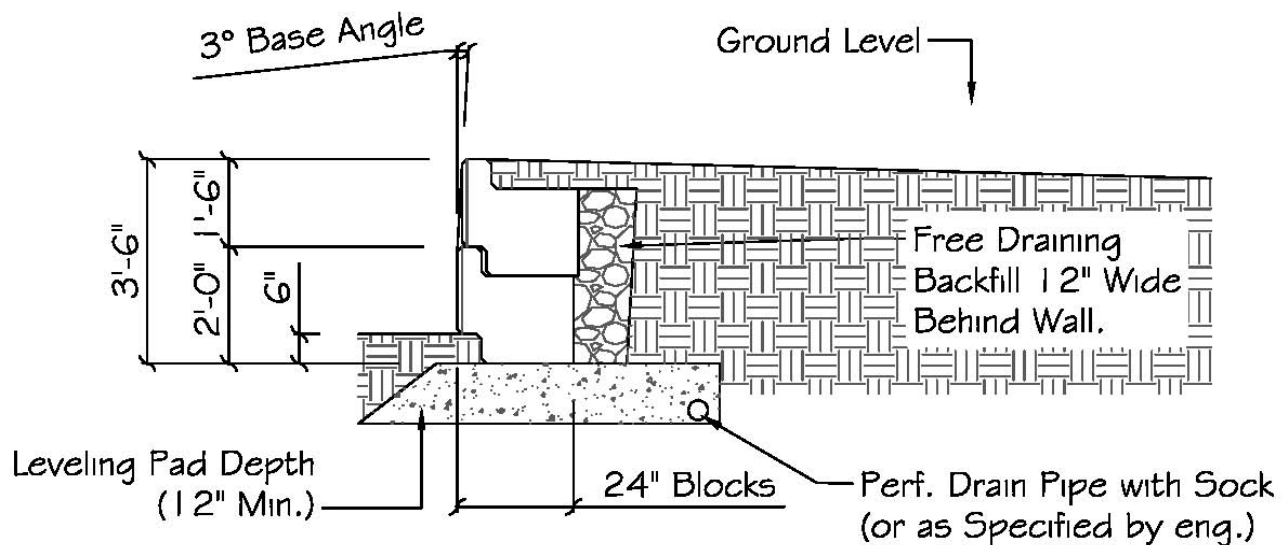
SEQUATCHIE CONCRETE
SERVICE, INC.

TRIBAL STONE



Sand & Gravel - Internal Angle of Friction = 34°

No Back Slope, No Surcharge



Retaining Walls that exceed 4'-0" in Height Must Be Engineered By a Professional Engineer