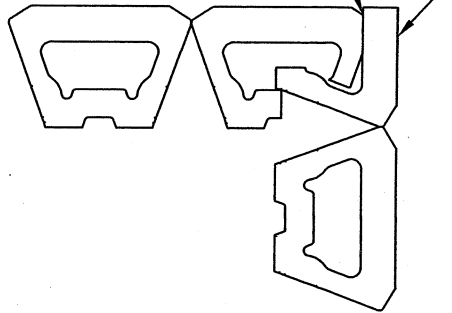
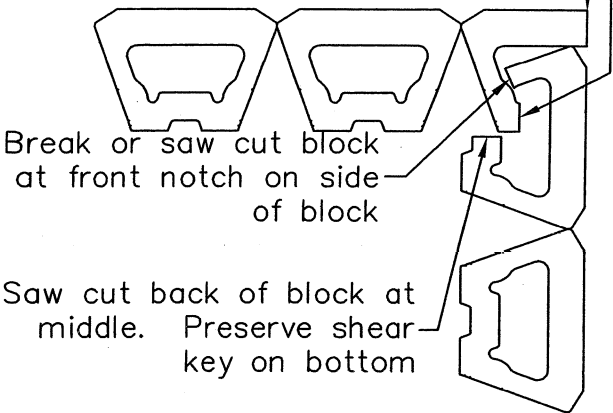


Alternate corner block from side to side on every course. It will be necessary to increase the amount split off on the end on each course to account for block setback.

Saw cut or break block at recess at back of core

Use hammer and brick chisel to split 5-3/4" off of one side of the block as shown to create corner block.

Trim edge of block to allow for corner block placement due to block setback



BOTTOM COURSE

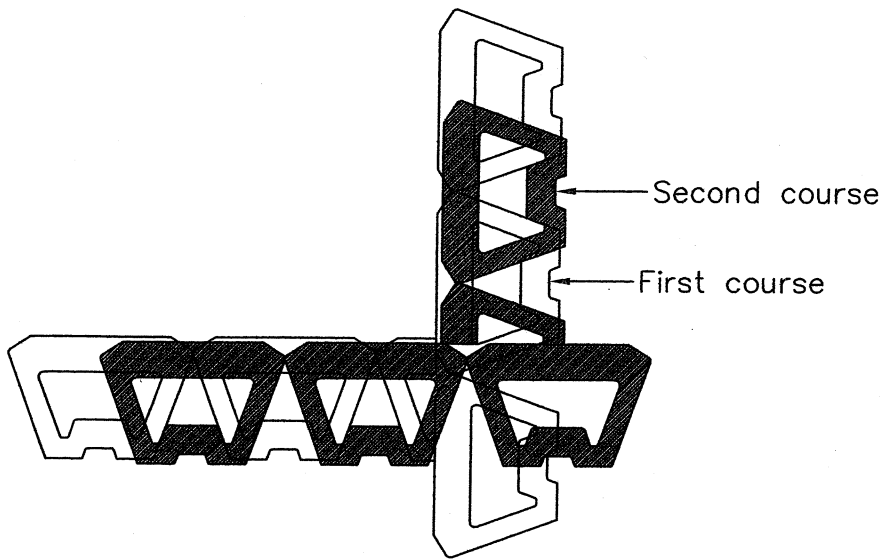
SUCCESSIVE COURSES

NOTE:
 This detail illustrates one method of constructing outside corners with the RidgeRock retaining wall system. Other methods may be acceptable provided that the final wall design engineer approves them during final design.

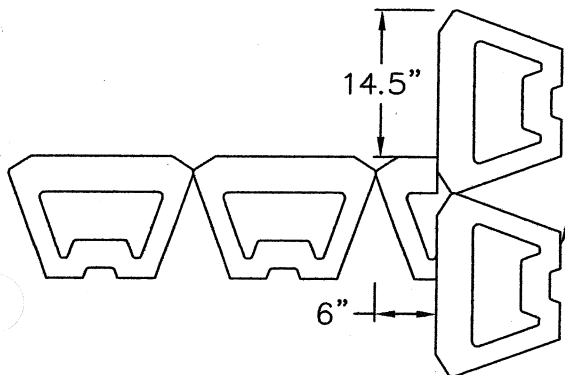


RidgeRock
 Retaining Walls Inc.
 P.O. Box 241233
 Charlotte, NC 28224
 704-504-3358
 Fax: 504-3038

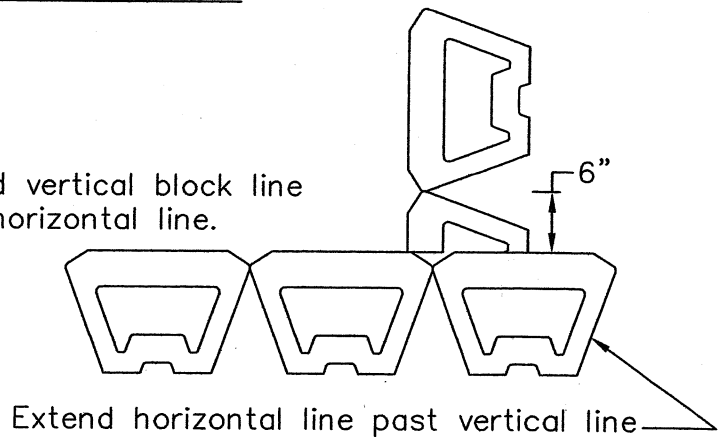
OUTSIDE CORNER DETAIL



COMPOSITE DETAIL



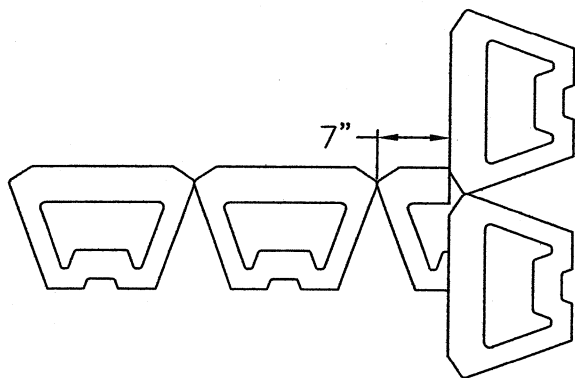
BASE COURSE



SECOND COURSE

Extend vertical block line past horizontal line.

Extend horizontal line past vertical line



THIRD COURSE

NOTE: After the third course continue construction. Alternate extending each block line past the perpendicular block line to provide firm bearing for next course. Continue to cut alternating courses to butt into perpendicular block line until reaching top of wall. Each cut will require an additional 1/2" to accommodate block setback. For level block placement remove the setback lug on blocks that extend past the perpendicular block line.



RidgeRock
Retaining Walls Inc.
P.O. Box 241233
Charlotte, NC 28224
704-504-3358
Fax: 504-3038

INSIDE CORNER DETAIL

RIDGEROCK DETAIL

1 of 1
SHEET NO.

10/6/08
DATE